



# ELINK-200

V1.0

## Video Remote Transmitter box

High performance decoding chip

Ultra long distance transmission , up to 100 meters

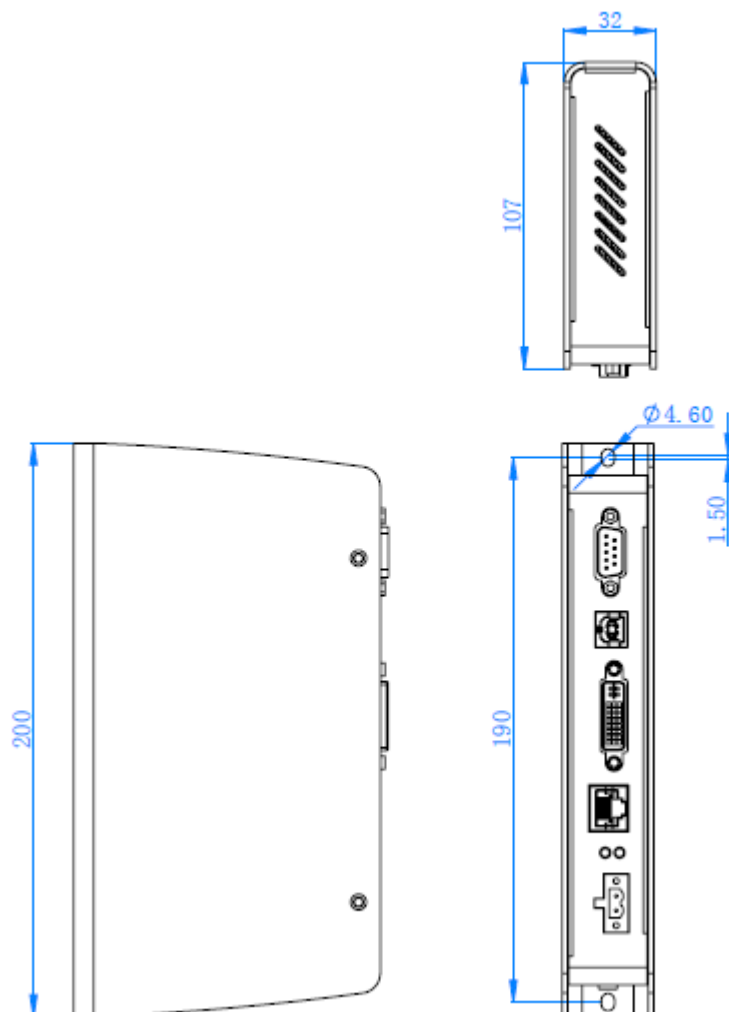
1920\*1080 HD display

## ● Specifications :

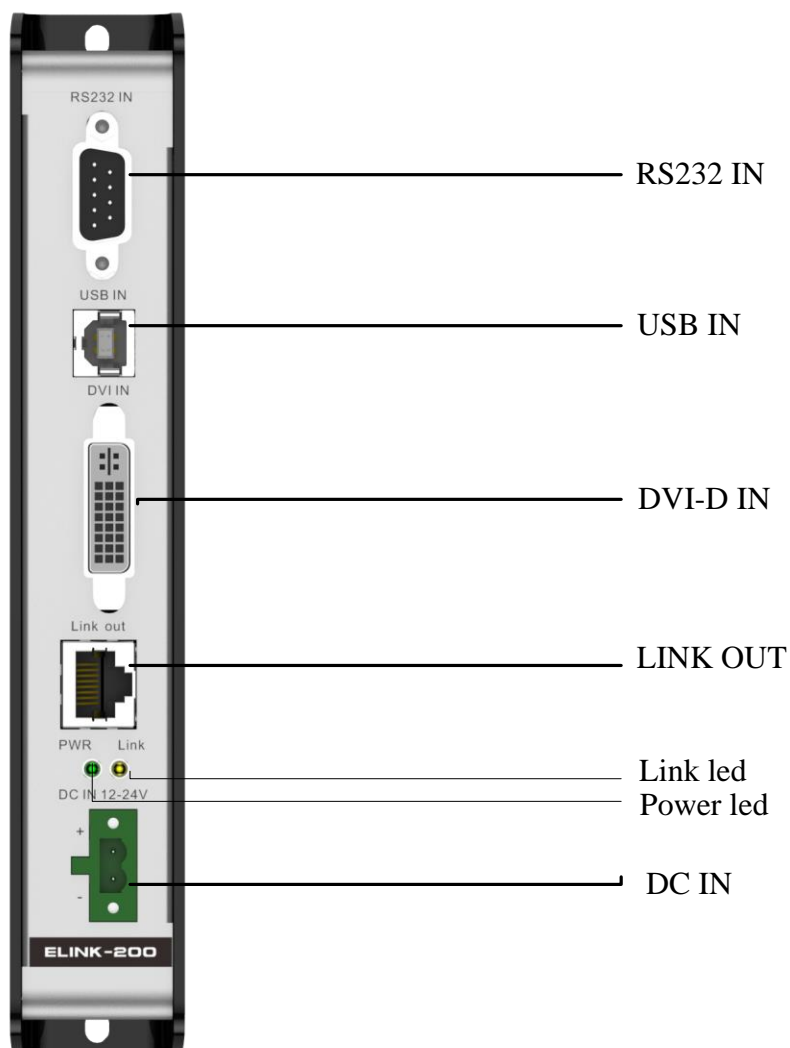


		ELINK-200
Input	Display input	DVI-D
	USB input	USB2.0
	RS232 input	RS232
Output	RJ45 connect	Integrate display, touch output
	Distance	Maximum 100 Meters : CAT6 type
Display	Resolution	1920*1080
Power	Input voltage	DC 12-24V support reverse polarity protection, overvoltage protection, overcurrent protection
	Max. consumption	maximum power consumption 40W
Structure parameter	Shell material	High strength sheet metal chassis
	Mounting	Desktop , Wall-mounted
	Size (L*W*H)	200mm x 107mm x 32mm
	weight	
Environmental	Work Temp.	-10 ~ 60°C (14~140°F)
	Storage Temp.	--20 ~ 80°C (-4 ~ 176°F)
	Relative Humidity	5~95% (Non-condensation)
	Shake	IEC 60068-2-64, random, 5 ~ 500 Hz, 1 hr/axis
	Shock	IEC 60068-2-64, Half-sine wave, 11ms duration
	EMC	CE/FCC Class A

- **Dimension : 200mm \* 107mm \*32mm**



- **Interface Definition :**



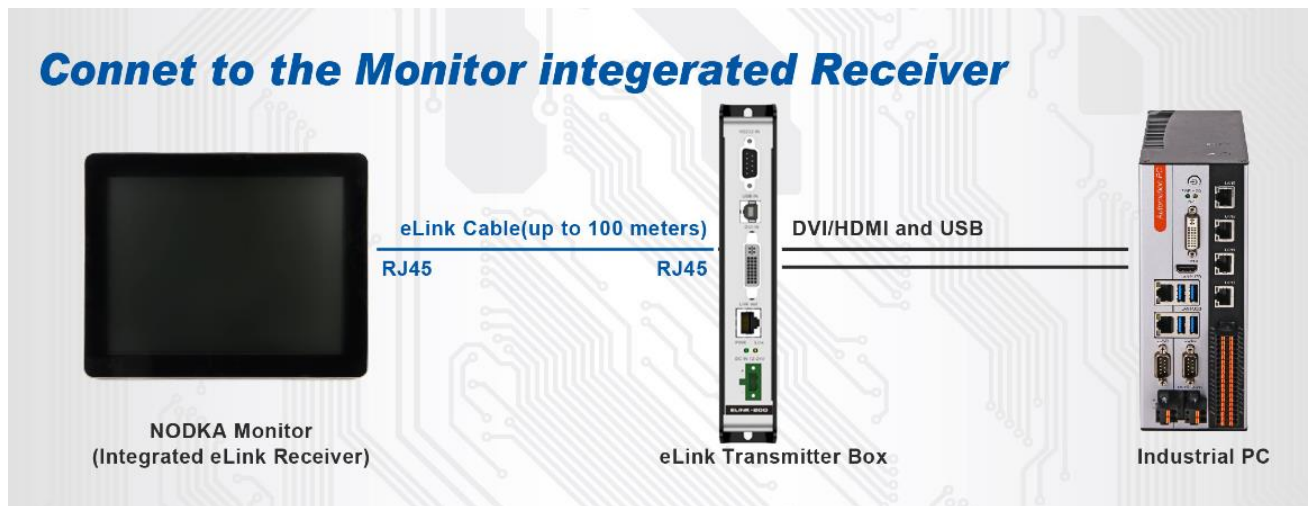
**NOTICE:**

- a, Network cable using CAT6e specification above network cable, and need to have a shielding layer.
- b, power LED ---power light
- c, link LED----Remote transmission magic box and display end link status light

## ● Ordering Information :

Name	Specification
<b>ELINK-200</b>	BOX /0.5m USB cable / 0.5m DVI business to business cable

## ● application



1. DVI-D, USB, RS232 remote transmission solutions
2. HD display, the highest resolution 1920\*1080
3. The remote transmission box receives DVI/USB/RS232 signals, and outputs signals to the display end through the RJ45 interface (the remote transmission box is a combined scheme, not compatible with the ordinary display)
4. Network cable using CAT6e specification above network cable, and need to have a shielding layer.