



# PANEL5000-C153-L

v1.1 Touch Screen Monitor

---



15.1" XGA Capacitive Touch Screen  
Industrial Monitor

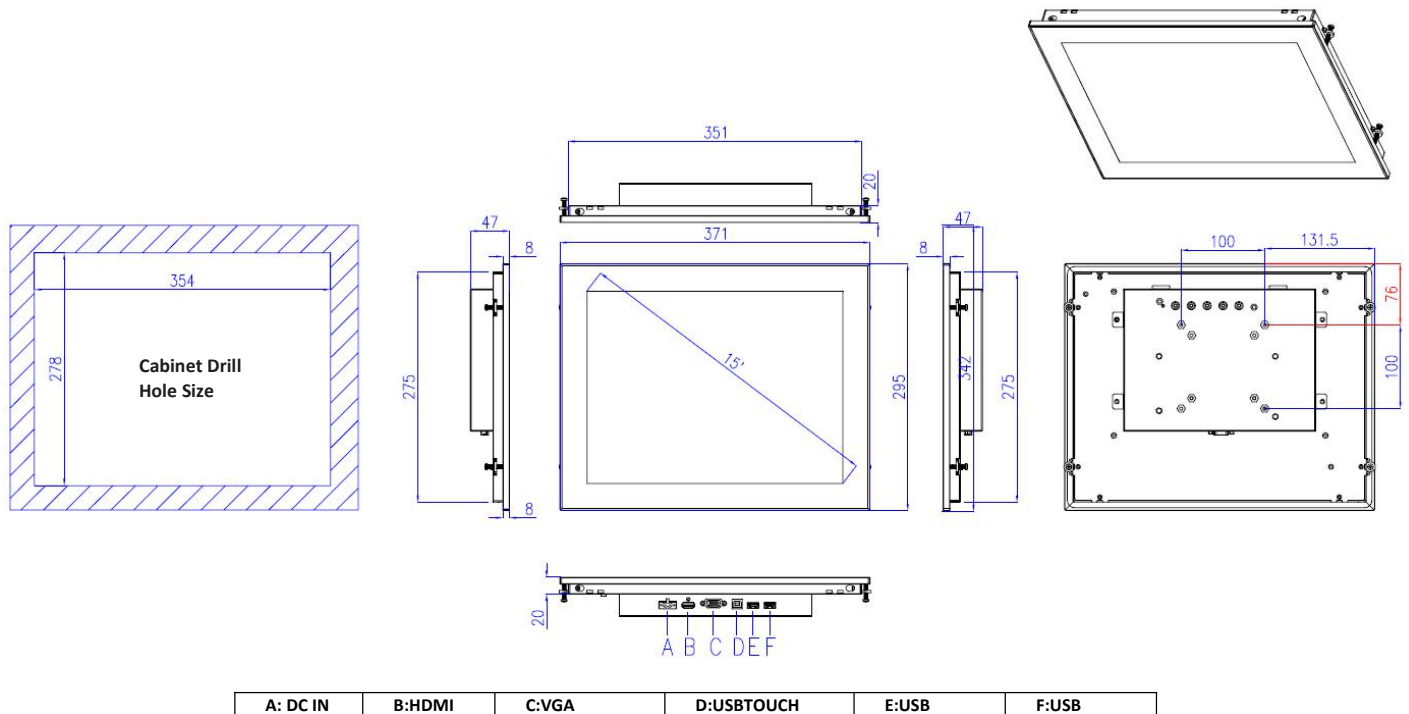


## Specifications



General	Control bu on	Set Contrast ratio and Luminance via OSD t the back panel
	Dimensions (W x H x D)	371mm x 295mm x47mm (12.64" x 9.72" x 1.85")
	Drill Hole Size (W x H)	354mm x 278mm (13.94" x 10.94")
	Box structure	Front panel: aluminum-magnesium alloy, anodized coating ;Back over: SGCC, Ground isolation p otection
	Mountin	Support Embedded,wall-mounted,Desktop and VESA mountin
	Power Supply	DC 12-24V
	Power Dissipatio	10W
	Signal input	VGA & HDMI
	NW	3.34kg (7.36lb)
LCD	LCD Size	15" XGA TFT
	Resolutio	1024 x 768
	Colors	16.7MB
	Acti e Area (W x H)	304.13mm x 228.10mm (11.97" x 8.98")
	Backlight	LED
	MTBF	50000hrs
	Pixel Pitch(H x V)	0.099 x 0.297
	Luminance	350cd/m <sup>2</sup>
	Contrast Rati	1000 : 1
	Viewing Angle	(L) 80 / (R) 80 / (T) 80 / (B) 80
Touchscreen	Type	Multi-poi t capacit e touch screen
	Transmi ance	> 87%
	Controller interface	USB 2.0 Type B
	Driver Support	Windows XP, Windows 7, Winows8, Windows 10, Linux
	Multi- ouch	10 points (windows system)
	Surface Hardness	Mohs' Number 7H
Environmental	Work Temperature	-20 ~ 60° C (-4~140 °T )
	Storage Temperature	-30 ~ 80° C (-22 ~ 176 °T )
	Relati e humidity	10~95% RH@40°C,non-condensing
	Shake	SSD applied: 1.5 Grms, IEC 60068-2-64, random, 5 ~ 500 Hz, 1 hr/axis
	Shock	SSD applied: 10 G, IEC 60068-2-27, Half-sine wave, 11ms duratio
	EMC	CE/FCC Class B
	Water-proof	Front panel IP65

## Dimensions:



## Ordering

Product Code	Description
PANEL5000-C153-L	15" TFT LCD / 1024*768 / 1xVGA / 1xHDMI / 2xUSB / Capacitive Touch Screen/DC12-24V input

## Packing List:

Hook	4*Hooks apply to Thickness=1mm~1.2mm
Terminal	2pin Phoenix terminal
VGA Cable	1.8M
USB Cable	1.8M

## Optional

Adapter	12V/3.33A,40W 2pin Phoenix terminal
Chinese Standard Power Line	1.8M/3M/5M
VGA Cable	3M/5M
USB Cable	3M/5M
HDMI Cable	1.8M/3M/5M